



USER'S MANUAL

Version 1.0 | 13/12/2024
661640-MAN-EN

CDL ADJUSTABLE UNIVERSAL TABLE



Table of Contents

Introduction	3
Safety Instruction	4
General Safety Instructions	4
Product Description	5
Technical Specification	5
Identification of Components.....	6
Assembly	7
Step 1.....	7
Step 2.....	8
Step 3.....	9
Step 4.....	10
Step 5.....	11
Step 6.....	12
Step 7.....	13
Warranty	14
Notes.....	16

Introduction

Thank you for choosing the Adjustable Universal Table #661640 from CDL Maple Sugaring Equipment. We take pride in offering high-quality products designed to meet the demanding needs of the maple sugaring industry. This user manual has been created to help you get the most out of your equipment by providing clear and detailed instructions for assembly, installation, and use.

At CDL, we are committed to innovating and continually improving our products to provide you with the most effective and reliable solutions. We encourage you to carefully read this manual before assembling and using the adjustable universal table and to keep it for future reference. You can also find it on our website.

If you have any questions or concerns, please do not hesitate to contact our technical support team, who will be happy to assist you.

Thank you for trusting CDL for your maple sugaring equipment needs.



Safety Instruction

Safety is a top priority during the installation and use of your equipment. This section provides essential information to ensure safe operation.

Please read all safety instructions carefully before beginning any operation. The following icons are used in this manual to draw your attention to specific hazards and necessary precautions. Understanding and following these instructions will help you prevent accidents and maintain a safe working environment.

General Hazard



This symbol indicates a potential risk of serious injury or property damage. Please take all necessary precautions to avoid accidents.

Crush Hazard



This symbol indicates a potential crush hazard that could result in serious injuries. Pay attention to areas where heavy or moving parts may pose a risk.

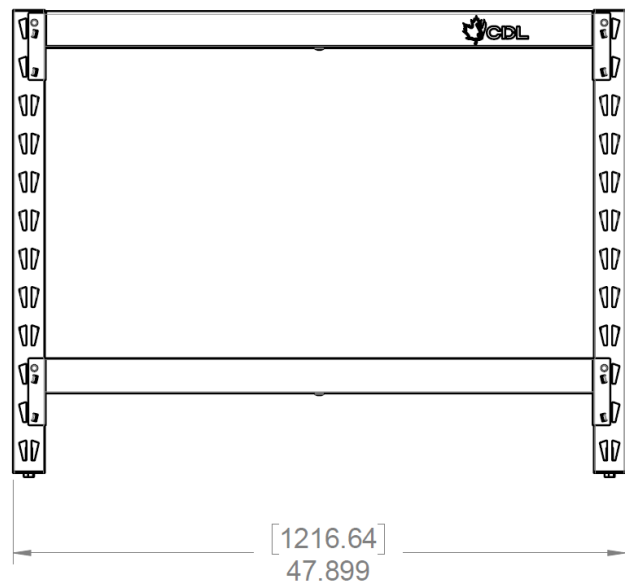
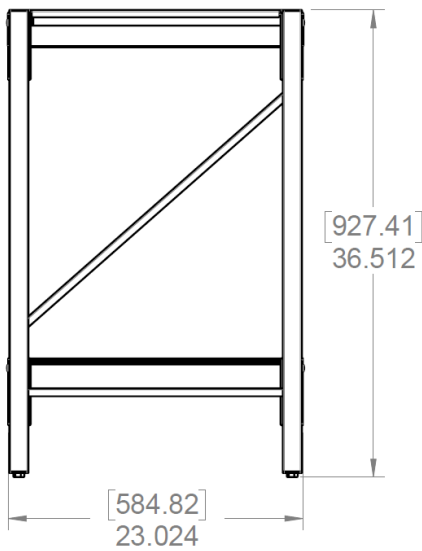
General Safety Instructions

1. Inspect the parts before assembly. Do not proceed if any parts are missing or damaged.
2. Assemble and use the table on a flat, solid surface.
3. Wear safety glasses and work gloves during assembly.
4. Ensure that safety pins are securely inserted into the designated slots.
5. Do not use or store the table outdoors.
6. Load the table from the bottom up to avoid the risk of tipping over.
7. Distribute the weight of items evenly to prevent damage or injury.
8. Do not stand on the table.
9. Do not modify the table's structure or add welded parts or electrical equipment.
10. Do not tow the table with a motorized vehicle.
11. Keep children away to prevent accidents.

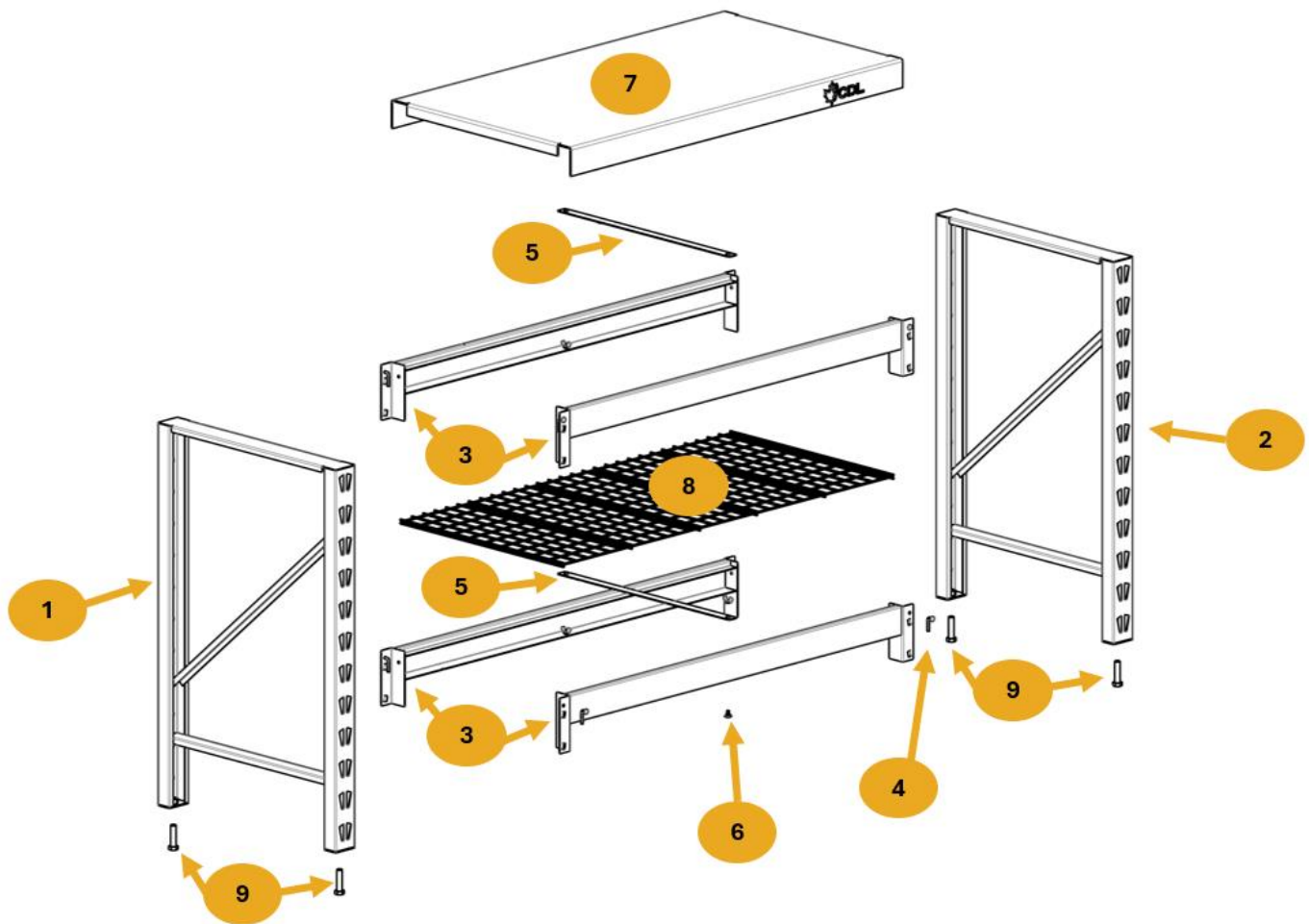
Product Description

Technical Specification

Characteristics	Details
Maximum Load Capacity	1000 lb (453 kg) per shelf
Materials	Sturdy painted steel
Dimensions	Approx. 48" x 23" x36"
Compatibility	Compatible with all CDL vacuum pump models
Adjustable Design	Upper shelf and lower shelf adjustable in height
Multiple Uses	Can serve as a workbench for various tasks, vacuum pumps, certain extractors, etc.



Identification of Components

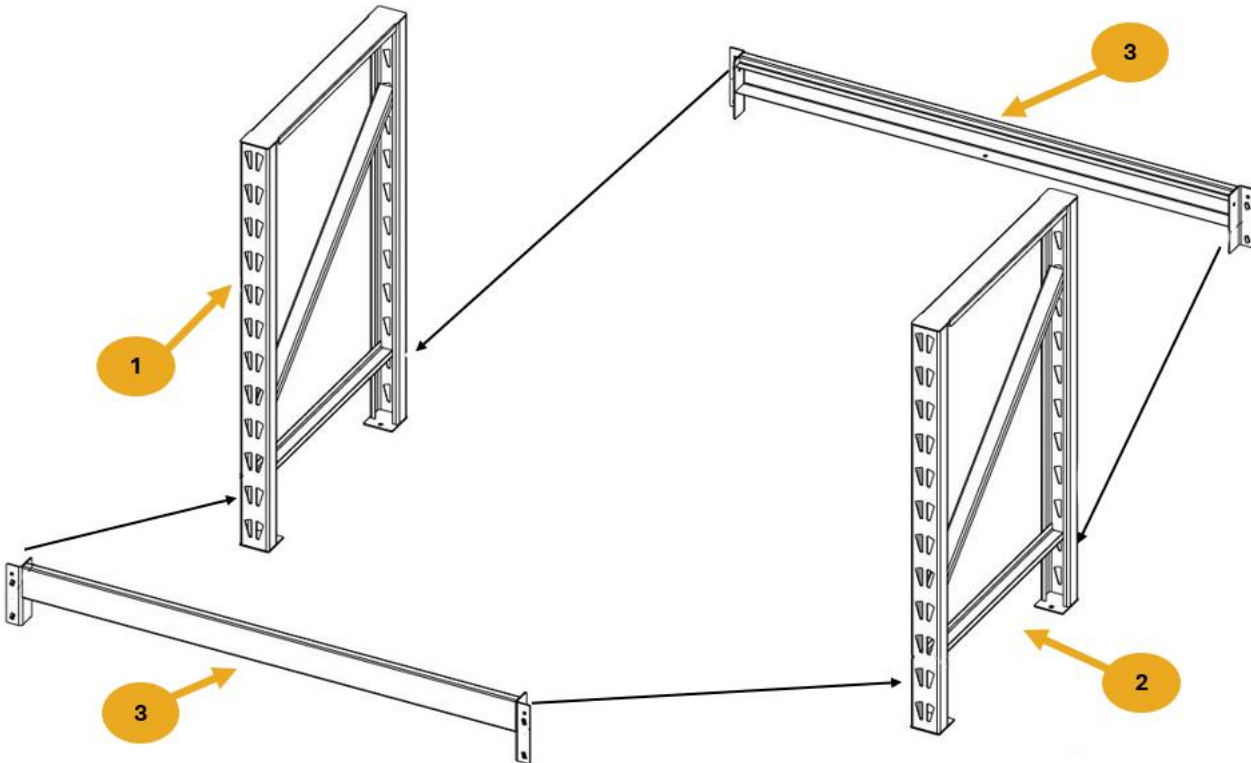


No	Part Description	Qty
1	Left leg	1
2	Right leg	1
3	Cross beam	4
4	Safety pins	8
5	Connection beam	2
6	M6 bolt set	4
7	Work surface	1
8	Grate	1
9	Bolts for adjustable legs	4

Assembly

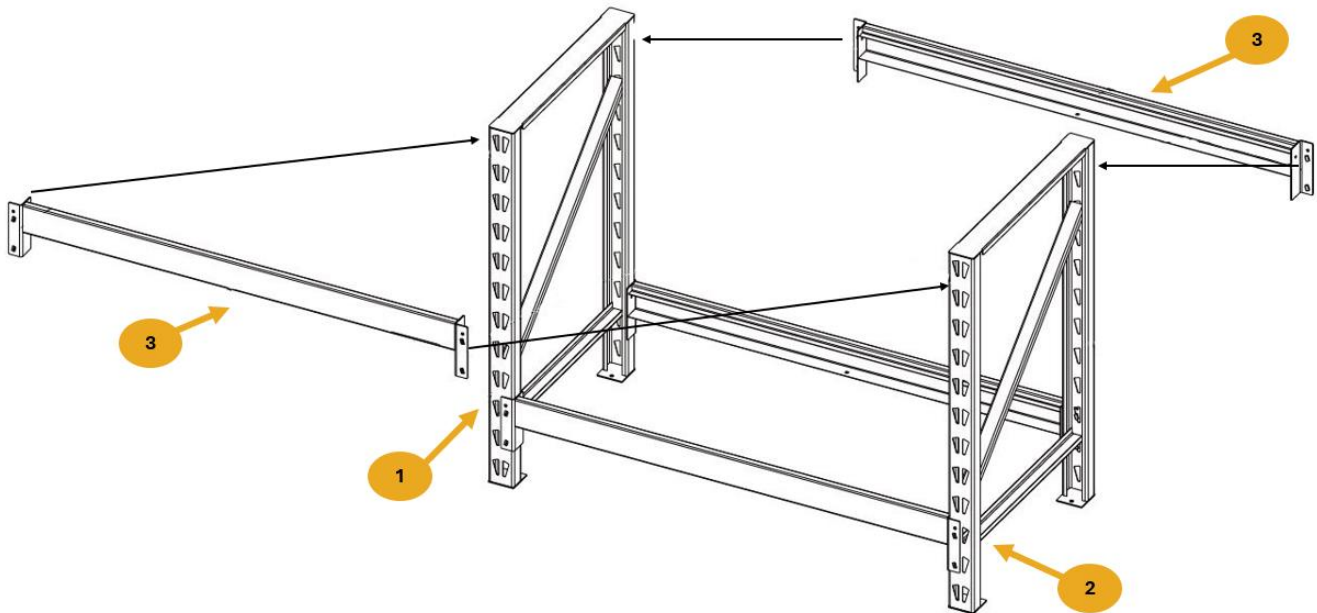
Step 1

Attach the two cross beams (#3) to the base of the left leg (#1) and the right leg (#2), as shown. Ensure that the connections are secure.



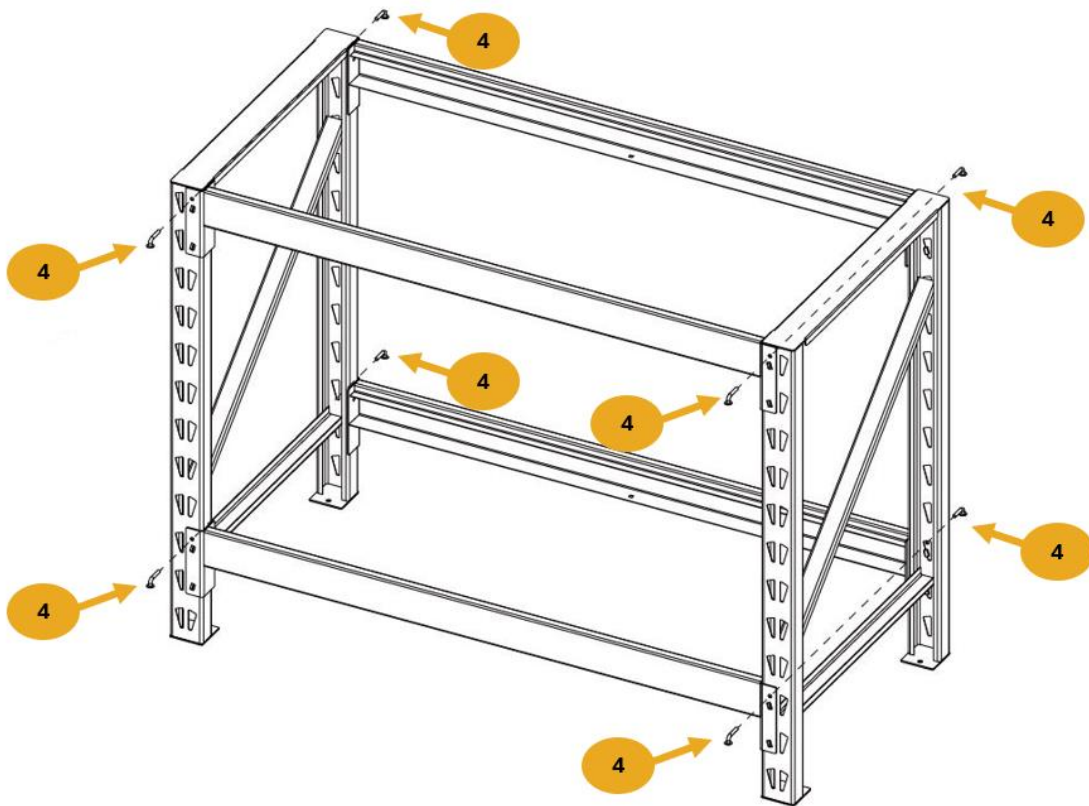
Step 2

Attach the remaining two cross beams (#3) to the top of the left leg (#1) and the right leg (#2). Ensure that the beams are properly aligned.



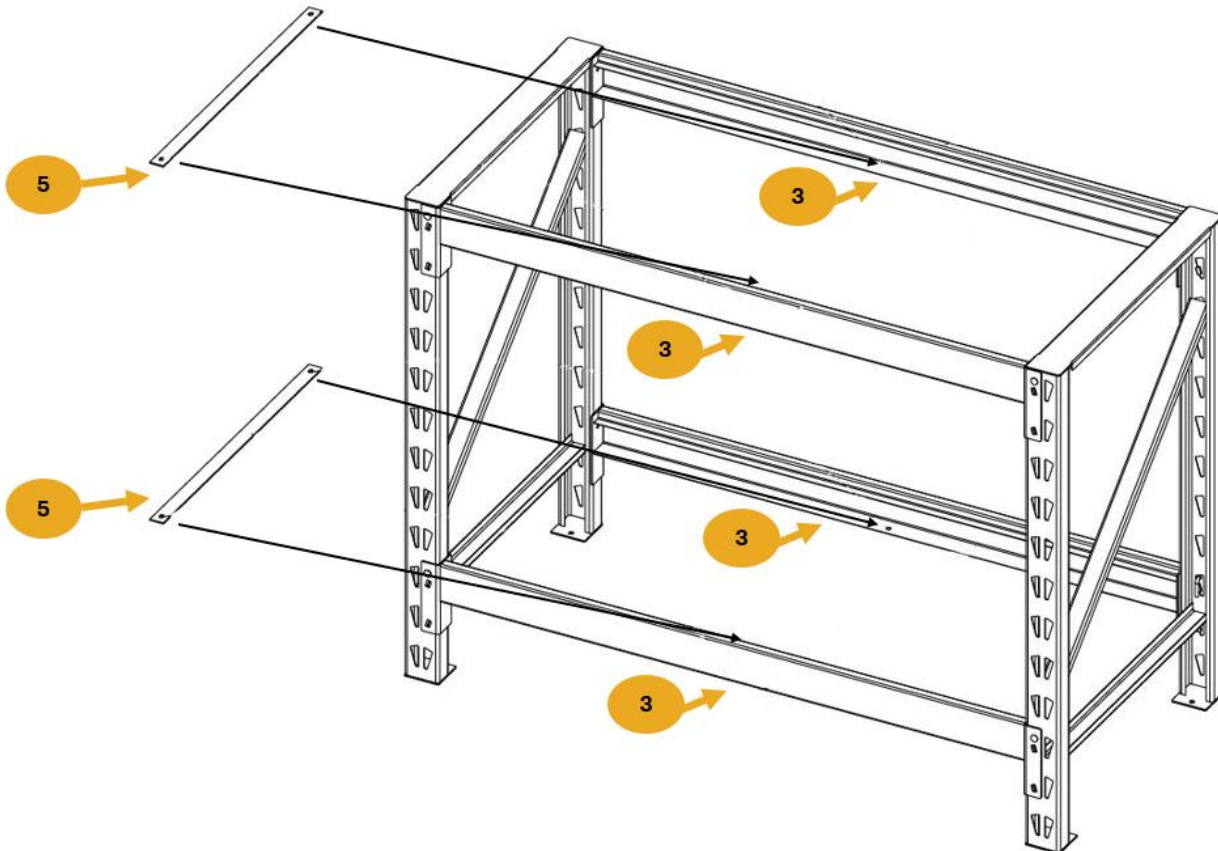
Step 3

Insert the safety pins (#4) into the designated openings on the cross beams (#3) and the legs (#1 and #2). This assembly ensures the stability of the structure.



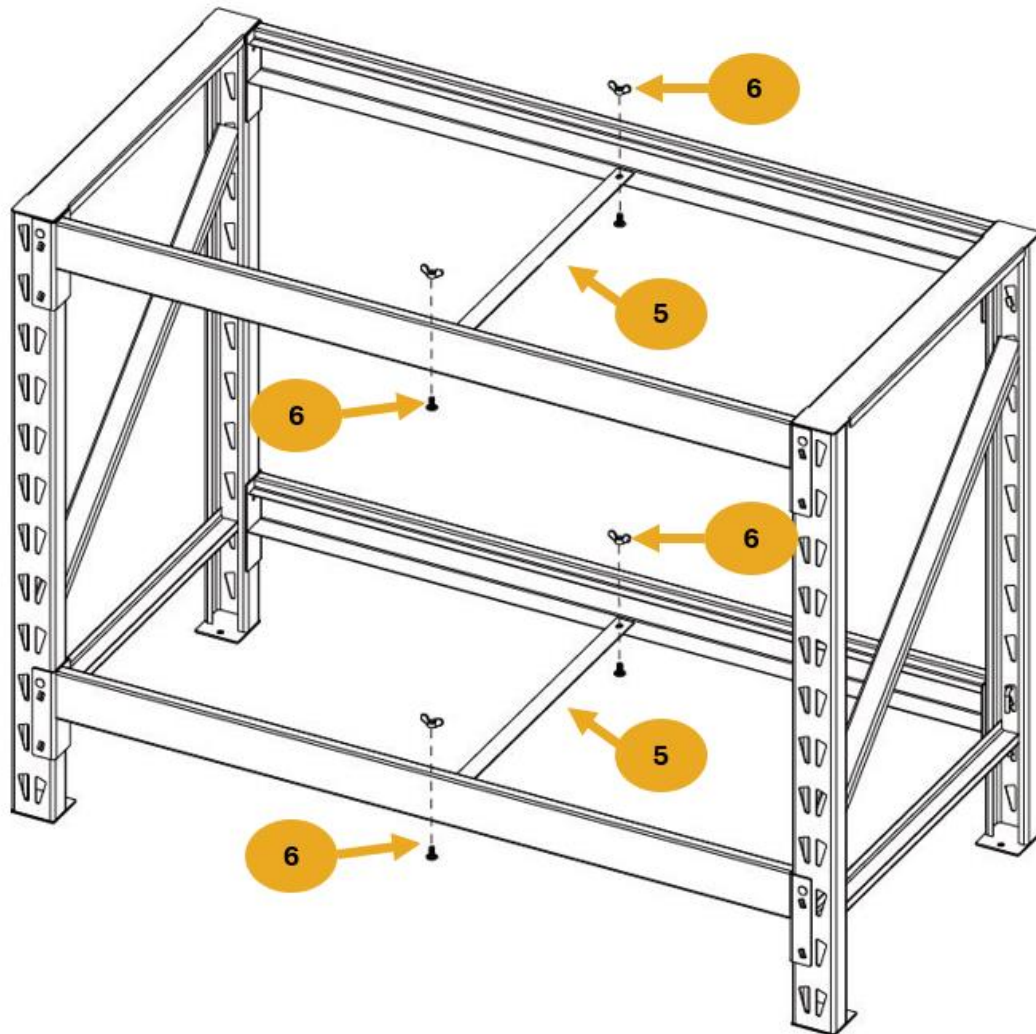
Step 4

Attach the connection beams (#5) to the middle of the cross beams (#3). Ensure that the holes in the connection beams are aligned with the slots on the legs.



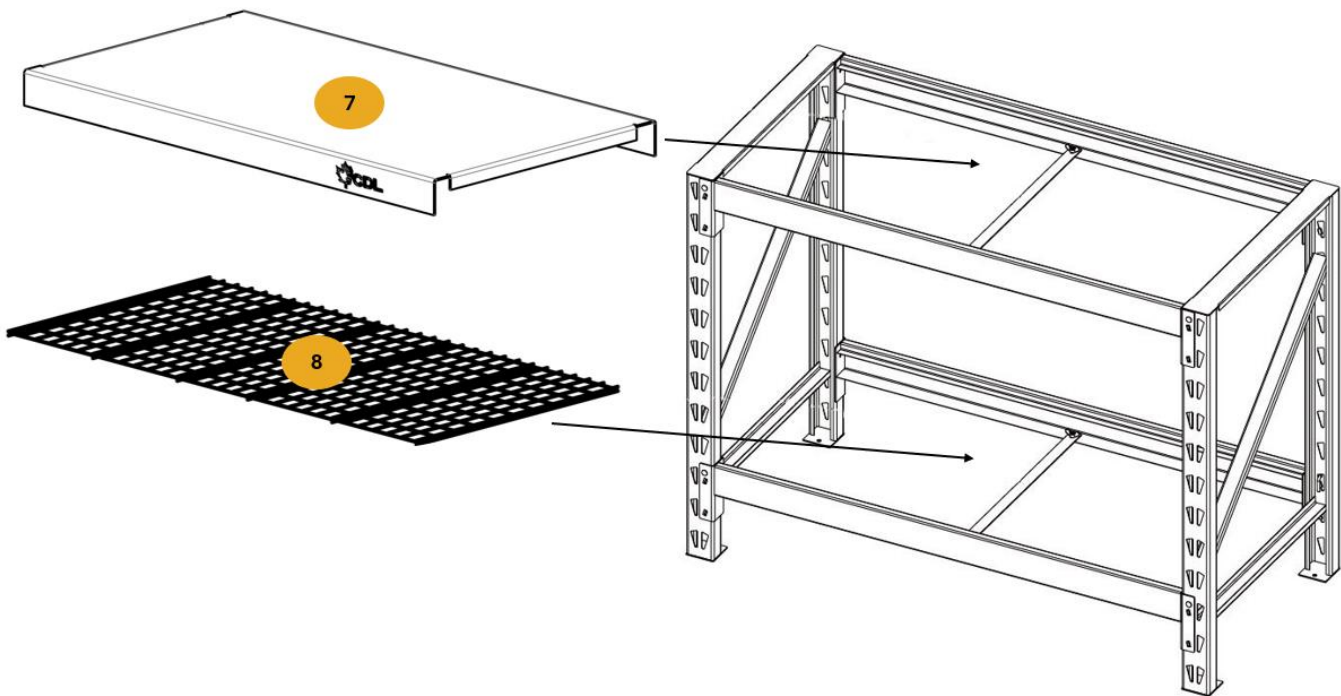
Step 5

Use the M6 bolt sets (#9) to securely fasten the connection beams (#5) to the cross beams (#3). Tighten each bolt firmly.



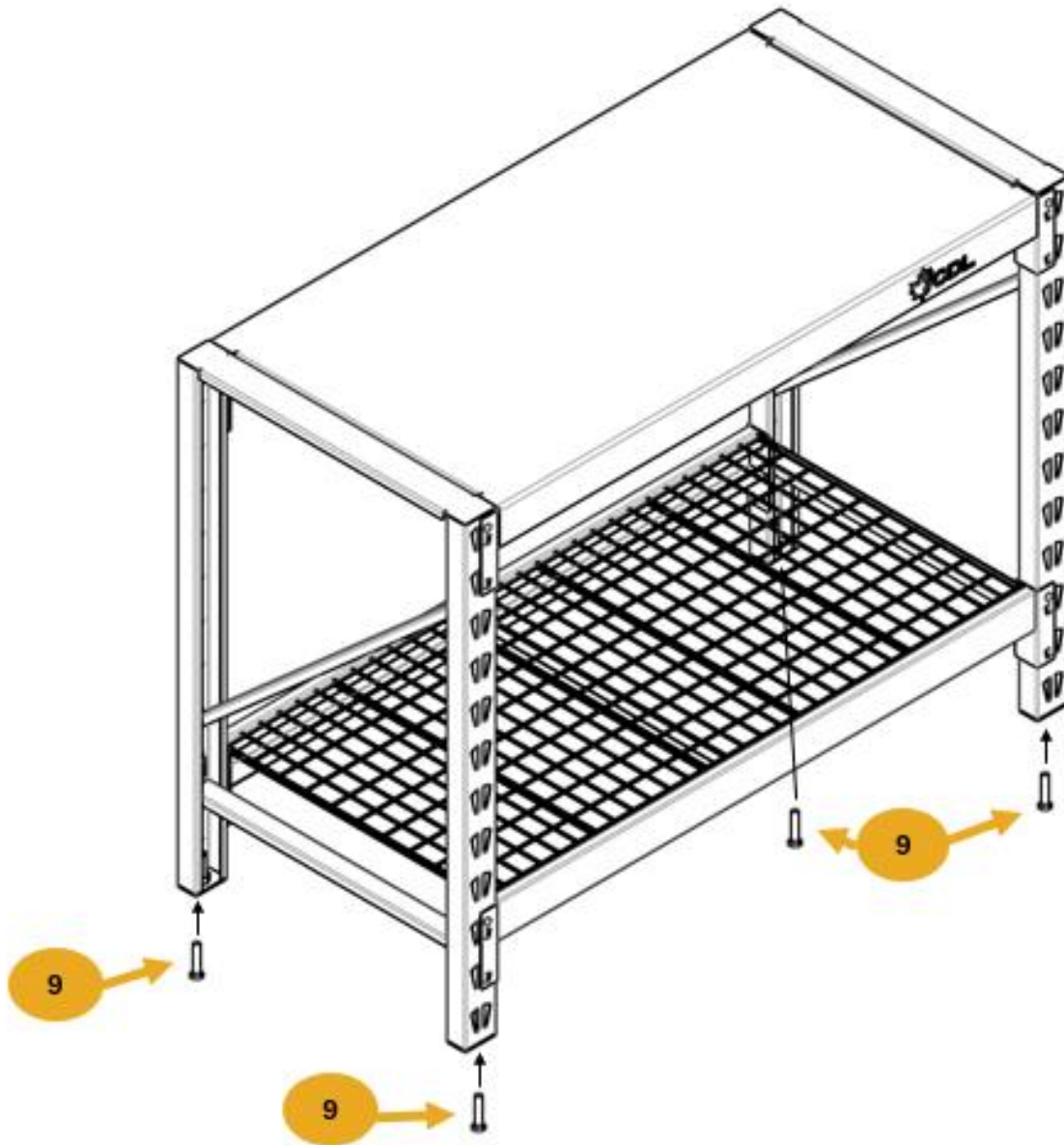
Step 6

Place the work surface (#7) on the assembled structure, ensuring it is securely attached. Then, add the grate (#8) at the lower level for optimal use.



Step 7

Screw the 4 bolts for adjustable legs (#9) underneath each of the legs (#1 and #2) to ensure the table's stability and levelness.



Warranty

For one (1) year from the original purchase date, Les Équipements d'érablière CDL Inc. will repair or replace parts of this equipment that exhibit material or manufacturing defects, provided the equipment is installed, used, and maintained in accordance with the instructions provided in the user manual.

This warranty does not cover the following:

1. Aesthetic appearances.
2. Products whose original serial number has been removed, altered, or is not easily readable.
3. Equipment that has changed ownership or is located outside North America.
4. Failure to comply with CDL's maintenance procedures.
5. Production losses due to any issue.
6. Revenue losses caused by the quality of the syrup.
7. Service calls unrelated to malfunction, manufacturing defects, or material defects, or for products not used in accordance with the provided instructions.
8. Service calls to check the installation of your adjustable table or to receive instructions on its use.
9. Service calls after one year.
10. Damage caused by: repairs made by unauthorized technicians; the use of non-original CDL parts or parts not obtained through an authorized technician; or external causes such as abuse, misuse, accidents, fires, or natural disasters.
11. Damage resulting from improper use, negligence, or customer-made modifications.
12. Damage caused by using products not intended for use on the table or by improper use of cleaning products.

Warranty Disclaimer and Limitation of Remedies

The customer's sole remedy under this limited warranty is the repair or replacement of the product as described above. Claims based on warranties, including implied warranties of merchantability or fitness for a particular purpose, are limited to one year or the shortest period permitted by law, which shall not be less than one year. Les Équipements d'érablières CDL Inc. shall not be held liable for incidental or consequential damages, or for implied or material damages.

Some states and provinces do not allow limitations or exclusions on incidental or consequential damages, or restrictions on warranties. In such cases, these limitations or exclusions may not apply to you. This written warranty gives you specific legal rights. Depending on your state or province, you may have additional rights.

If You Require Repair Services

Keep your receipt, delivery slip, or any other valid proof of purchase to establish the warranty period in case you need repair services. If repairs are performed, it is in your best interest to obtain and retain all receipts. Service provided under this warranty must be obtained by contacting CDL at the addresses or phone numbers listed below.

The features and specifications described or illustrated may be subject to change without notice.

CDL Sugaring Equipment Inc.

257, route 279
Saint-Lazare-de-Bellechasse
(Québec) Canada
G0R 3J0
418 883-5158 | 1 800 361-5158
cdlinc.ca

CDL USA

3 Lemnah Drive
St. Albans, VT 05478
United States
802-527-0000 | 1-800-762-5587
cdlusa.com



Notes

